

SIGMA-700

Intercom system



Features

- Digital technology
- Compact and modern design
- Choice of red or blue panel lighting
- Use of pictograms
- User-friendly
- Stable operation
- Service and adjustment easy by means of a laptop computer

An excellent combination of design and advanced navigation technology

The SIGMA line is a complete modular range of reliable equipment for inland shipping and inland fishery. Unique is the combination of digital technology and an analogue readout. The operation of the units is simple and structured by utilising pictograms for the different functions. The various SIGMA products are modern in style and design and are easily integrated in the bridge console.

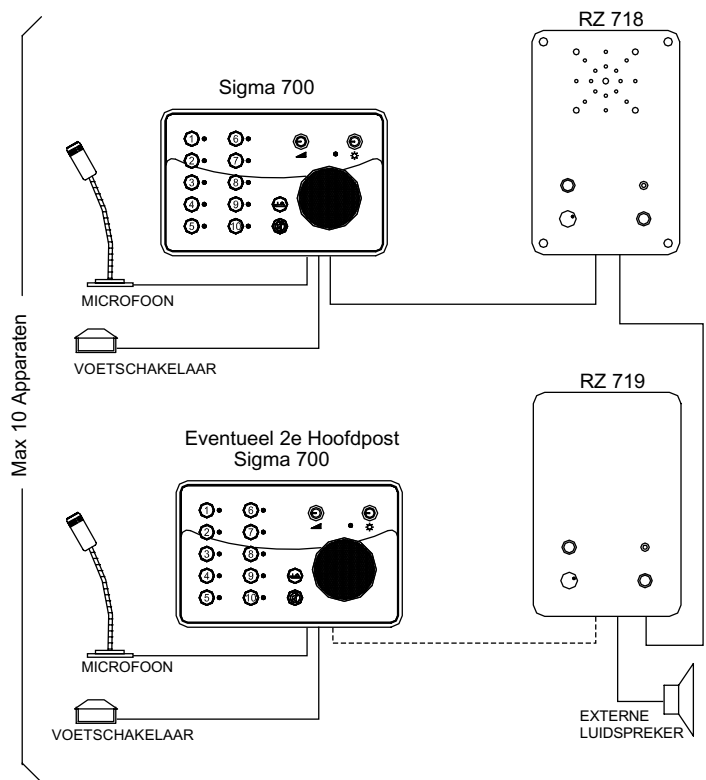
The controls and readouts of the SIGMA instruments are conveniently arranged and easy to operate. SIGMA combines quality and innovation at a competitive price. The scope of the complete range includes a rudder angle indicator, echosounder, windspeed and direction meter, rate of turn indicator, an electromagnetic compass, coursesetter, autopilot and a intercom system.

Intercom system

The SIGMA-700 is the intercom system of the SIGMA-line. This system is standard suited for 10 sub-stations and has a general all-call facility. The two-wire connection to the sub-stations makes the installation easy.

The sub-stations have a call-function to the main station. An LED indication on the main stations shows the calling sub-station.

System overview



Technical specifications

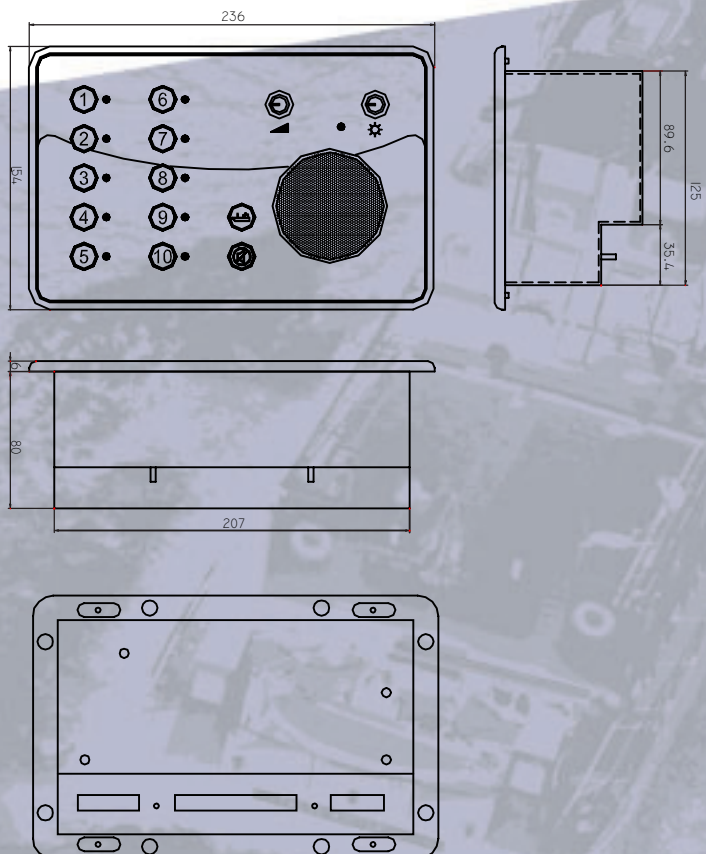
Main-station

Supply voltage	18-36VDC
Output power	25W
Panel illumination	5 to 100%
Repeater	I/O Signals for repeater function
Dimmer	I/O for simultaneously dimming panel lighting other external SIGMA units

Sub-station

Supply voltage	18-36VDC
Output power	25W

Dimensions



Dealer