

SIGMA-550 Autopilot



Features

- **Open platform for follow-up steering, river-pilot and combination functions**
- **Supplied as a complete autopilot with junction-box, SIGMA-100 rudder angle indicator and SIGMA-300 rate of turn indicator**
- **Digital technology combined with an analogue readout**
- **Compact and modern design**
- **Choice of red or blue panel lighting**
- **Use of pictograms**
- **User-friendly**
- **Stable operation**
- **Service and adjustment easy by means of a laptop computer**

An excellent combination of design and advanced navigation technology

The SIGMA line is a complete modular range of reliable equipment for inland shipping and inland fishery. Unique is the combination of digital technology and an analogue readout. The operation of the units is simple and structured by utilising pictograms for the different functions. The various SIGMA products are modern in style and design and are easily integrated in the bridge console.

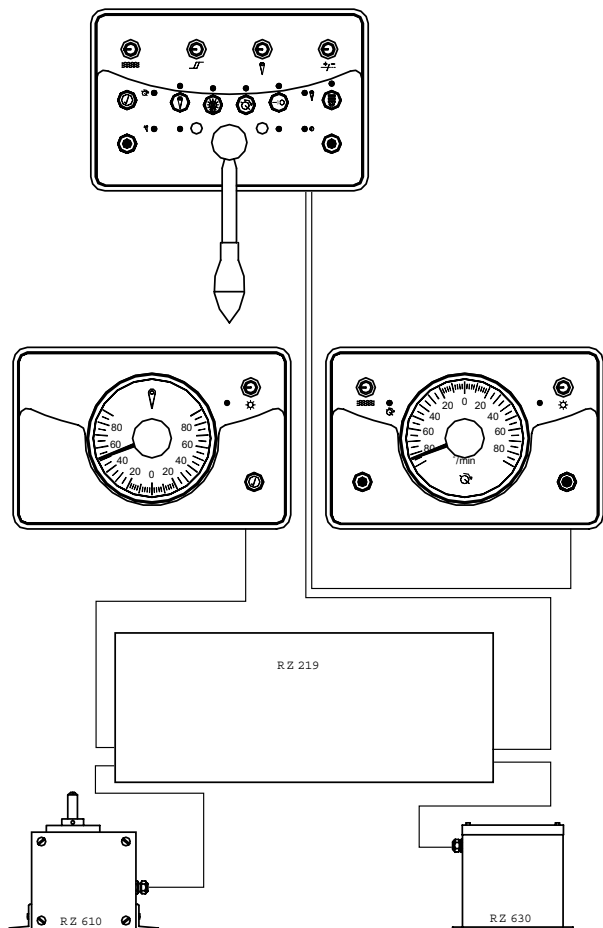
The controls and readouts of the SIGMA instruments are conveniently arranged and easy to operate. SIGMA combines quality and innovation at a competitive price. The scope of the complete range includes a rudder angle indicator, echosounder, windspeed and direction meter, rate of turn indicator, an electromagnetic compass, coursesetter, autopilot and a Intercom system.

Autopilot

The SIGMA-550 is the operating unit of the autopilot. Together with the RZ219 junctionbox, the SIGMA-100 rudder angle indicator and the SIGMA-300 rate-of-turn indicator the SIGMA-550 is a complete autopilot.

This system can be upgraded with the SIGMA-345 electromagnetic compass and the SIGMA-370 course setter to set a course to steer for the SIGMA-550 autopilot.

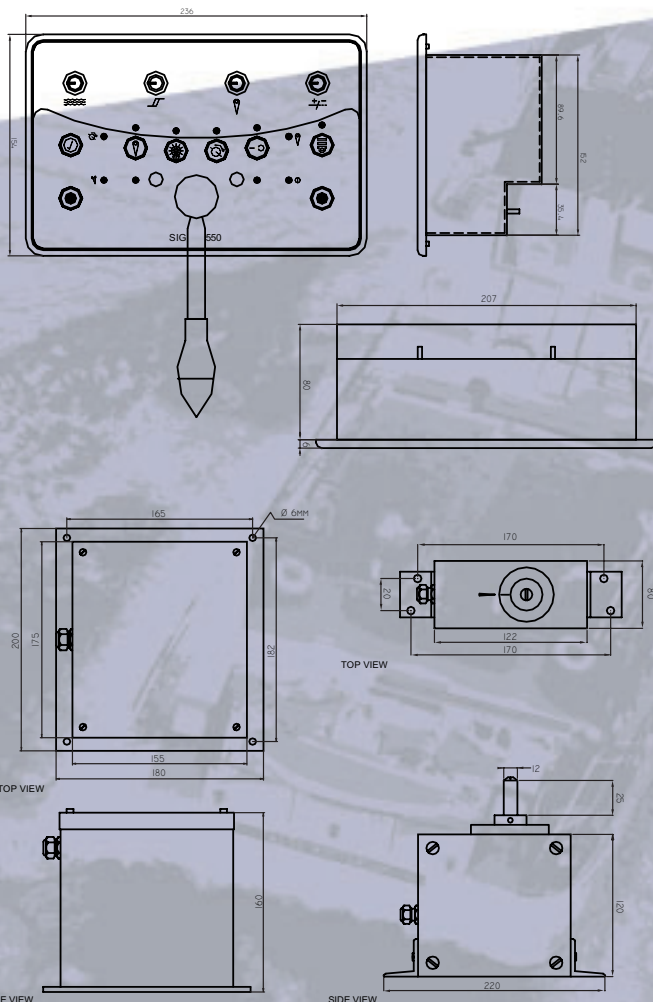
System overview



Technical Specifications

Supply voltage	24VDC (18 - 36VDC)
Data I/O	input only IEC61162 (NMEA)
Panel illumination	5 to 100%
Dimmer	I/O for simultaneously dimming panel lighting other external SIGMA units
Steering gears	Black/white, proportional, Danfoss, Aquamaster and third-valve

Dimensions



RHM-6140.0209.500

SIDE VIEW

SIDE VIEW

Dealer

subject to change