

SIGMA-120 Echosounder



Features

- Specialised shallow water instrument
- Range 0.3 - 4 and 0.3 - 40 meters
- Installation of second transducer is possible
- Supplied with junctionboxes and transducer
- Digital technology combined with an analogue readout
- Compact and modern design
- Choice of red or blue panel lighting
- Use of pictograms
- User-friendly
- Stable operation
- Service and adjustment easy by means of a laptop computer

An excellent combination of design and advanced navigation technology

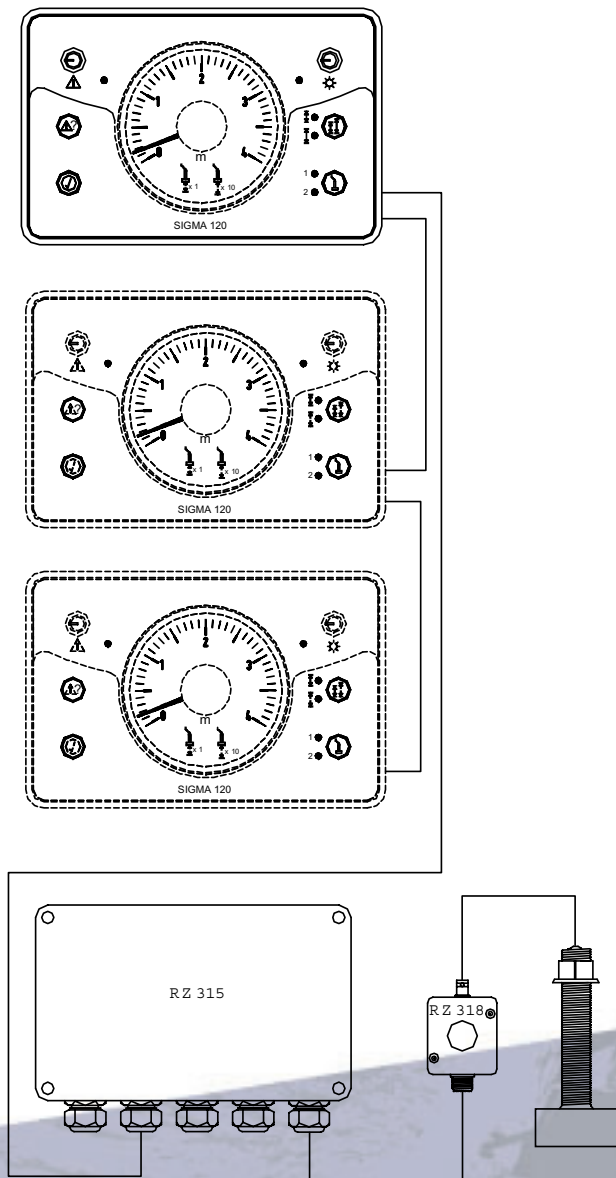
The SIGMA line is a complete modular range of reliable equipment for inland shipping and inland fishery. Unique is the combination of digital technology and an analogue readout. The operation of the units is simple and structured by utilising pictograms for the different functions. The various SIGMA products are modern in style and design and are easily integrated in the bridge console.

The controls and readouts of the SIGMA instruments are conveniently arranged and easy to operate. SIGMA combines quality and innovation at a competitive price. The scope of the complete range includes a rudder angle indicator, echosounder, windspeed and direction meter, rate of turn indicator, an electromagnetic compass, coursesetter, autopilot and a intercom system.

Echosounder

The SIGMA-120 is the echosounder and is supplied with the junctionbox RZ315, the interfacebox RZ318 and a transducer. The Echosounder can be set to 0-4 and 0-40 meters. Between 0 and 4 meters an alarm can be set to warn the operator if the depth reaches the preset minimum.

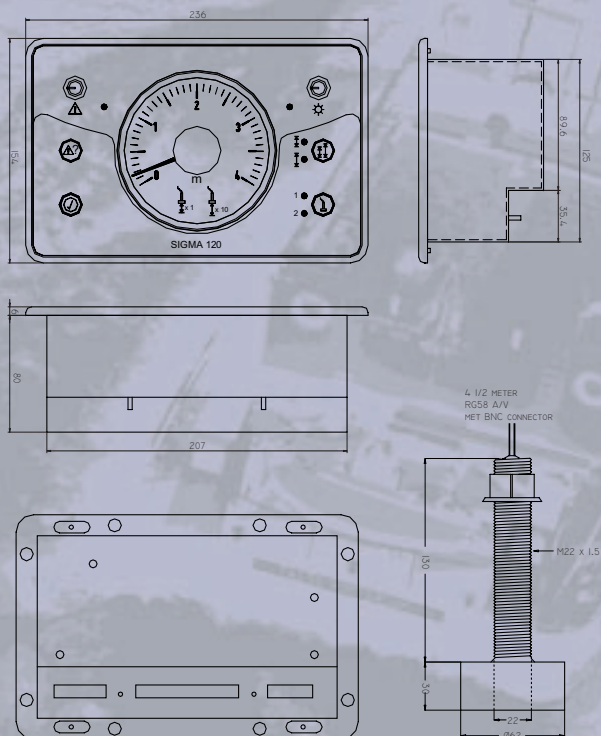
System overview



Technical Specifications

Supply voltage	18 - 36VDC
Data I/O	IEC61162 (NMEA)
Panel illumination	5 to 100%
Indicator	Class 1.5, indicator 0.3-4m and 0.3-40m
Repeater	I/O Signals for repeater function
Dimmer	I/O for simultaneously dimming panel lighting other external SIGMA units

Dimensions



Dealer



RHM-6135.0209.500

subject to change