

RHRS 2005RC

Colour River Radar



The innovative features of the RHRS 2005RC radar are:

- very high resolution 21" monitor
- enhanced discrimination (a high-pulse frequency rendering increased accuracy)
- easy operation
- trackball menu operation
- 11 ranges: 250/500/800/1200/1600 meter and 2/4/8/16/32/64 kilometre
- revolutionary short-range pulse technology yielding even better results
- various colour combinations possible
- own vessel is easily drawn on the screen, various configurations (with barge(s)) may be stored
- meets the latest Rhine navigation requirements
- optional High-Speed antenna renders it particularly suitable for fast vessels (36/42 revs p/m)
- a two-unit system: an antenna and a compact monitor with detachable keyboard
- available with a 6½, 7 or 8-ft antenna
- ready for chart overlay
- to be connected to various types of modern equipment such as (D)GPS and echo sounder
- 'true trail' in the 'head up' display mode renders sharp recognition of moving and stationary radar targets (provided the D/GPS and the compass supply source are connected)

Radio Holland Colour Rasterscan Riverradar

The new RHRS2005C colour river radar represents a major novelty in inland shipping electronics. The RHRS2005C is a top product jointly developed by Furuno and Radio Holland Marine. It allows Radio Holland to carry on its tradition following the development of the JMA 605, 606, 607, the RHRS2001R and the RHRS2002R inland navigation radars.

Quality, operational safety and reliability characterise this new colour radar. River radar technology experience combined with knowledge of the latest inland- and deep-sea navigation technology has resulted in a revolutionary colour radar at a highly competitive price.



Member of the Radio Holland Group

Radio Holland Netherlands B.V. Eekhoutstraat 2, 3087 AB Rotterdam
Havennummer 2121, Postbus 5068, 3008 AB Rotterdam
Tel. +31 (0)10 428 3344; Fax +31 (0)10 428 1498
e-mail: info@radioholland.nl; Internet: www.radioholland.nl

Technical data RHRS 2005RC

Scanner unit

radiator type
radiator length

Slotted waveguide array
2570mm (XN14AF), 2250mm (XN22AF), 2040mm (XN20AR)

horizontal beamwidth
vertical beamwidth
antenna rotation speed
wind load

0.95° (XN14AF), 1.0° (XN22AF), 1.2° (XN20AR)
25° (XN14AF), 25° (XN22AF), 25° (XN20AR)
24 rpm
Relative wind 100 km/h.

RF Transceiver

frequency
peak output power
range, pulselength (PL) & pulse repetition rate (PRR)

9410 MHz \pm 30MHz (X band)
4 kW

intermediate frequency
bandwidth

0,04 μ s / 400 Hz (0.25 - 2 km), 0,18 μ s / 2500 Hz (2 - 16 km), 0,5 μ s / 1000Hz (4 - 64 km).
60 MHz, linear amplifier
Tx pulselength 0.04 μ s and 0.18 μ s: 25MHz
Tx pulselength 0.5 μ s: 3MHz

Display unit

picture tube

21-inch rectangular (375 mm x 300 mm) high resolution colour CRT 1024(H) x 1280(V) pixels, effective display area more than 270 mm diameter.

presentation mode
range accuracy
bearing accuracy
echo trails

relative motion head-up
 \pm 1.5 % of range or \pm 10 m, whichever is the greater
 \pm 1°

off-centring
radar mapping

2 antenna revolutions (relative trail)
2 scan: 15 sec / 30 sec / 1 min / 3 min (true trail)
forward range extension to 183% of range in use
1500 points available for the marking of buoys and navigation lines

interfaces (inputs)

course: (AD-10 format or NMEA-0183 IEC6112)
speed, position, depth, date/time (NMEA-0183 IEC61162)

interfaces (outputs)

rate-of-turn indicator (20mV/degr.) ROT Alarm
slave radar outputs (radar video, trigger, heading, bearing pulses)
display data for Monitor SXGA*
NMEA (\$RARSD, \$RAOSD)

**Video buffer option is necessary*

Environmental conditions

ambient temperature

scanner unit: -25°C to +70°C

relative humidity

display unit: -15°C to +55°C

vibration

93 % (\pm 2%) or less at +40°C

power supply

to IEC60945 Ver.03

power consumption

20-40 VDC

standard supply

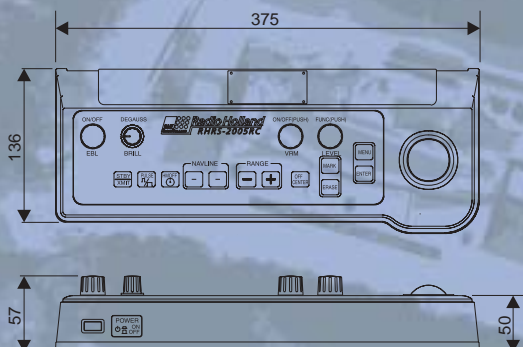
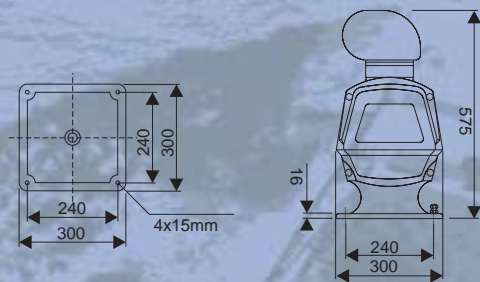
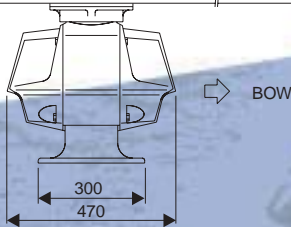
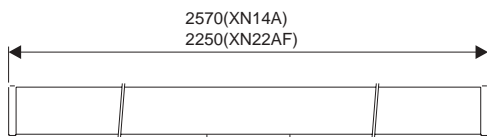
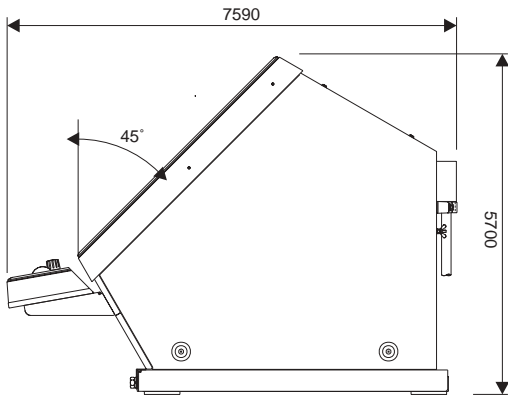
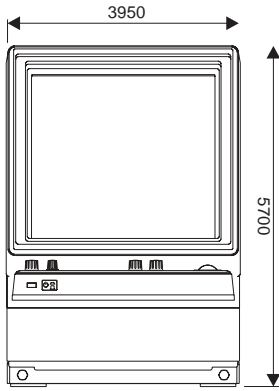
\pm 230W max.

optional

scanner unit, scanner XN14A 98 feet), display unit, control unit with 5m cable.

rectifier RU1746B for 115 / 230 VAC, transformer RU-1803 for 440 VAC, scanner XN22AF (7 feet)

scanner XN20AR (6.5 feet), RGB video buffer, heading sensor PG1000, extension cable for control unit, 36/42 rpm scanner motor



Measurements in mm.

Dealers