

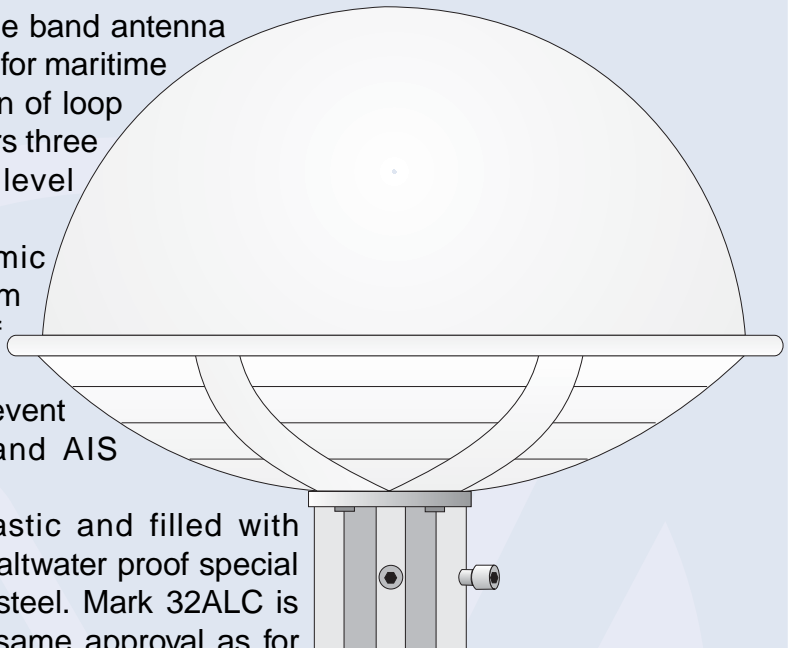
TV-FM-AM antenna Mark 32ALC

Mark 32ALC is an omni-directional wide band antenna (0.1-26.5 and 40-890 MHz) TV-FM-AM, for maritime purposes. It is based on a construction of loop antennas coupled to four band amplifiers three of which have individual automatic level control units - ALC's.

The ALC's have very high dynamic range, and keep the antenna free from intermodulation even in the vicinity of high power transmitters.

High efficiency suppression filters prevent interference from VHF telephone and AIS transmitters.

Mark 32ALC is made of ABS plastic and filled with polyurethane foam. Mounting base in saltwater proof special alloy and bolts in stainless acid proof steel. Mark 32ALC is tested by "Det Norske Veritas" for the same approval as for radar equipment.



The advantages of Mark 32ALC compared to a Yagi antenna system are:

- Automatic level control-ALC .
- Rigid, non-corrodible, maintenance free construction
- Small dimensions and easy to mount.
- Omni-directional, no adjustments.
- Replaceable amplifier.
- Integrated VHF/AIS suppression filters.

TECHNICAL SPECIFICATIONS

Frequency range:	0.1-26.5 MHz, 40-110 MHz, ALC > 60 dB 170-230 MHz, ALC > 50 dB 470-890 MHz, ALC > 35 dB(470-700 MHz) ALC > 25 dB(700-890 MHz)
Gain:	>12 dB@0.1-26.5 MHz >25 dB@40-110, 170-230 MHz >25 dB@470-890 MHz <-10 dB@156 MHz (Radio telephone) <-10 dB@162 MHz (AIS)
Return loss:	>16 dB@40 MHz -1.5 dB/octave
Noise factor:	<4.5 dB
ALC limited output level:	95-100 dB μ V
Intermodulation:	CTB < -60 dBc
Output impedance:	75 ohm
Connector:	BNC male
Supply voltage:	15 V DC
Current consumption:	approx. 200 mA
EMC:	EN 50082-1, 55024-2, 55024-4
Operation temp. range:	-40 - +70°C
Weight:	3 kg
Material:	White ABS
Approvals:	DNV's Standard for Certification No 2.4, chapter 3.6.2, Sweep Sine Test, vibration strain class C

0510

Since 1971, the objective of Naval Electronics has been to offer the best possible products for TV and Radio reception at sea. Naval began with omnidirectional antennas and is the world leader in this field of technology today. Now, with an expanded product range, the name Naval means much more than antennas. Naval operates in more than 40 countries and has installations on thousands of vessels all over the world.

All specifications stated are subject to change without notice.

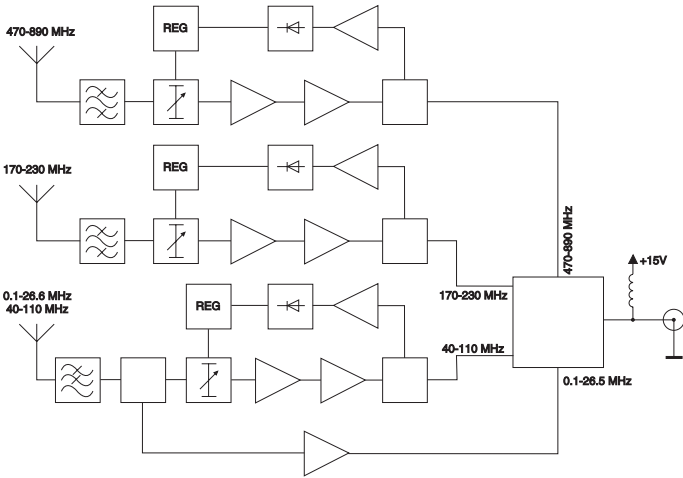


Höjrodergatan 18, SE-212 39 Malmö, Sweden
Tel. +46(0)40-29 20 45. Fax +46(0)40-18 74 13
E-mail:sales@naval.se www.naval.se

3004

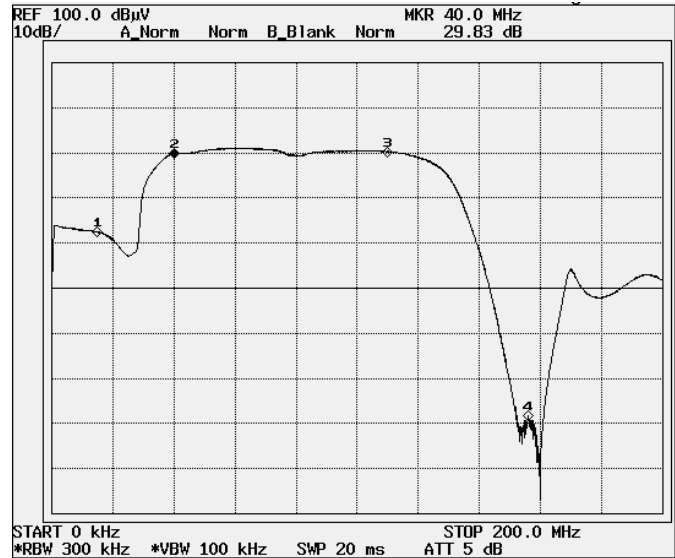
TV-FM antenna Mark 32ALC

Block diagram



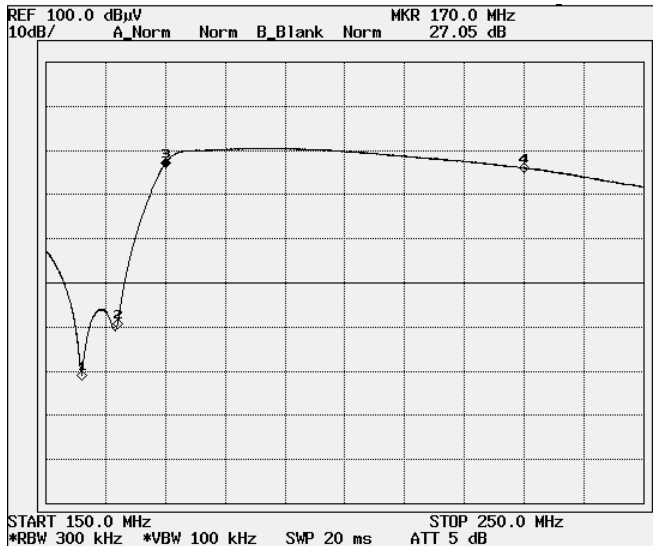
Plot AM-BI-FM

(Representative)



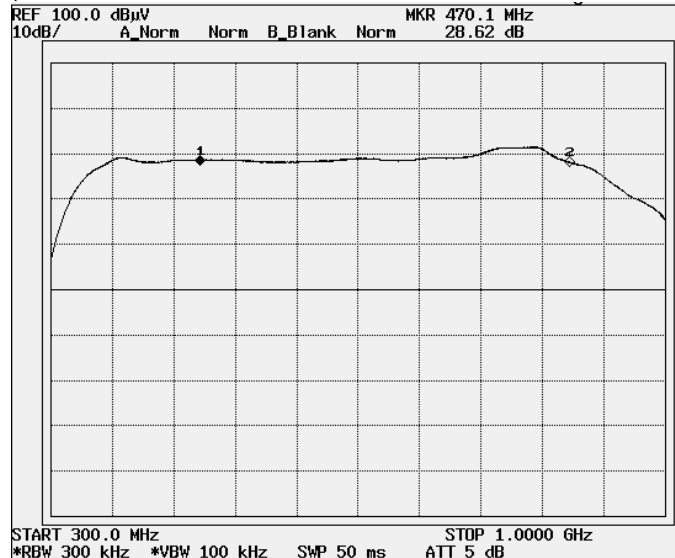
Plot suppression filter with VHF-AIS

(Representative)



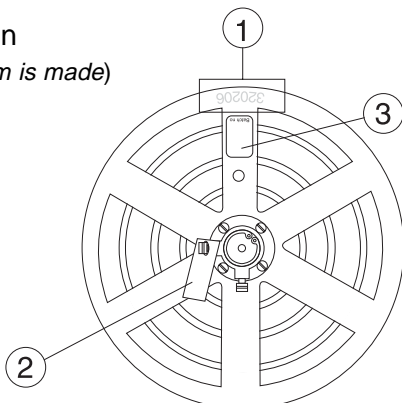
Plot UHF

(Representative)



Antenna identification

(To be stated when claim is made)



1. Serial no.
2. Inspection tag
3. Type label

For installation procedure please consult Mk 30/32ALC installation manual

Order No.
201.095

Shippingweight: 5.5 kg
Standard package: 1
Volume: 59 cdm